

PHYSICAL DIMENSIONS:

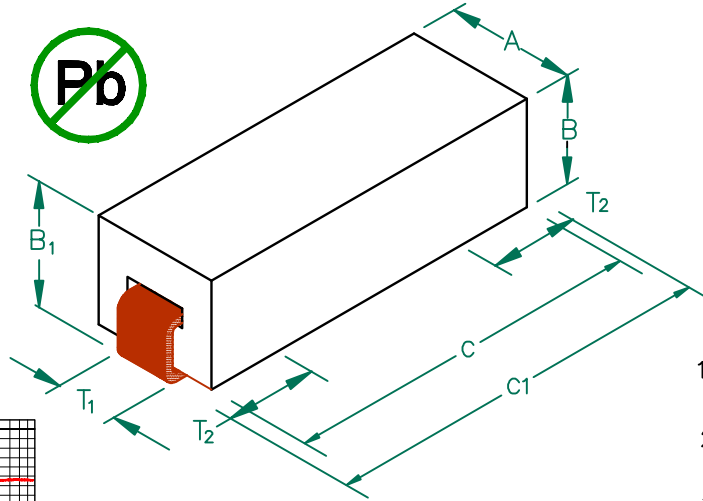
- A 3.05 [.120] \pm 0.08 [.003]
- B 2.54 [.100] \pm 0.08 [.003]
- B₁ 3.05 [.120] \pm MAX
- C 8.51 [.335] \pm 0.23 [.009]
- C₁ 9.53 [.375] \pm MAX

WIRE DIMENSIONS:

- T₁ 1.27 [.050] \pm 0.05 [.002]
- T₂ 1.52 [.060] \pm 0.51 [.020]

28F0121-1SR-10

UNCONTROLLED DOCUMENT



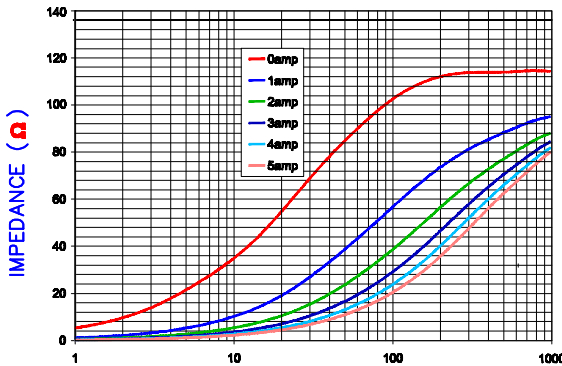
ELECTRICAL CHARACTERISTICS:

Z @ 100MHz (Ω)	DCR (Ω)	Rated Current
Nominal	96	
Minimum	72	
Maximum	120	10,000 mA

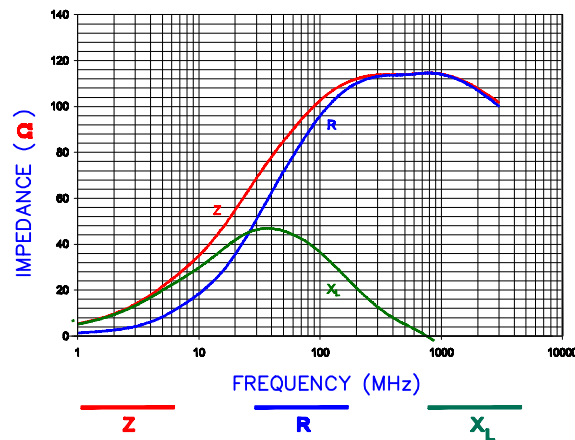
NOTES: UNLESS OTHERWISE SPECIFIED

1. TAPED AND REELED per CURRENT EIA SPECIFICATIONS 13" REELS, 2500 PCS/REEL.
2. COMPONENTS SHOULD BE ADEQUATELY PREHEATED BEFORE SOLDERING.
3. REF. CARRIER TAPE SPECIFICATION # CART121-13.

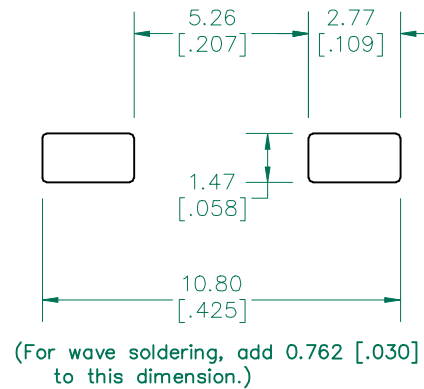
Z vs. FREQUENCY
IMPEDANCE UNDER DC BIAS



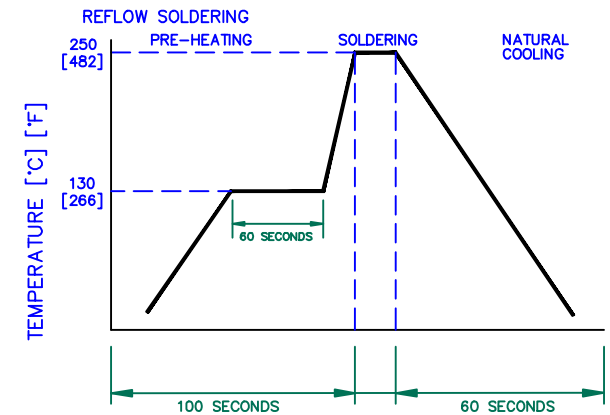
FREQUENCY (MHz)
|Z|, R, AND X vs. FREQUENCY



LAND PATTERNS FOR REFLOW SOLDERING



RECOMMENDED SOLDERING CONDITIONS



DIMENSIONS ARE IN mm (INCHES).				This print is the property of Laird Tech. and is loaned in confidence subject to return upon request and with the understanding that no copies shall be made without the written consent of Laird Tech. All rights to design or invention are reserved.	
F	UPDATE COMPANY LOGO	10/24/08	JRK	Laird TECHNOLOGIES PROJECT/PART NUMBER: 28F0121-1SR-10 REV F PART TYPE: ASSEMBLY DRAWN BY: JRK DATE: 10/06/03 SCALE: NTS SHEET: 2 of 3 CAD # 28F0121-1SR-10-F TOOL # -	
E	UPDATE LANDPATTERN ADD ROHS SYMBOL	08/09/07	JRK		
D	UPDATE COMPANY LOGO	04/19/07	JRK		
C	ADD KGS TO WGT&LBS TO PART WGT	09/13/05	JRK		
B	CHANGE RATED CURRENT FROM 5000mA	02/17/04	JRK		
A	ORIGINAL DRAFT	10/06/03	JRK		
REV	DESCRIPTION	DATE	INT		